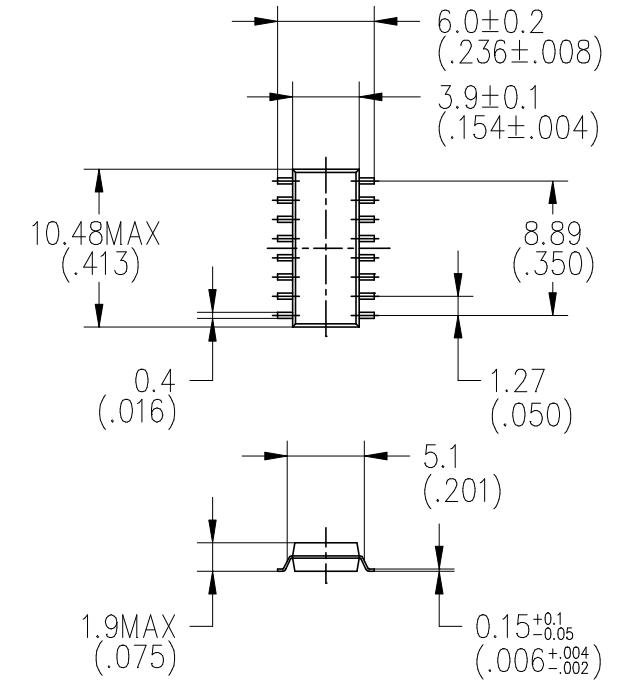
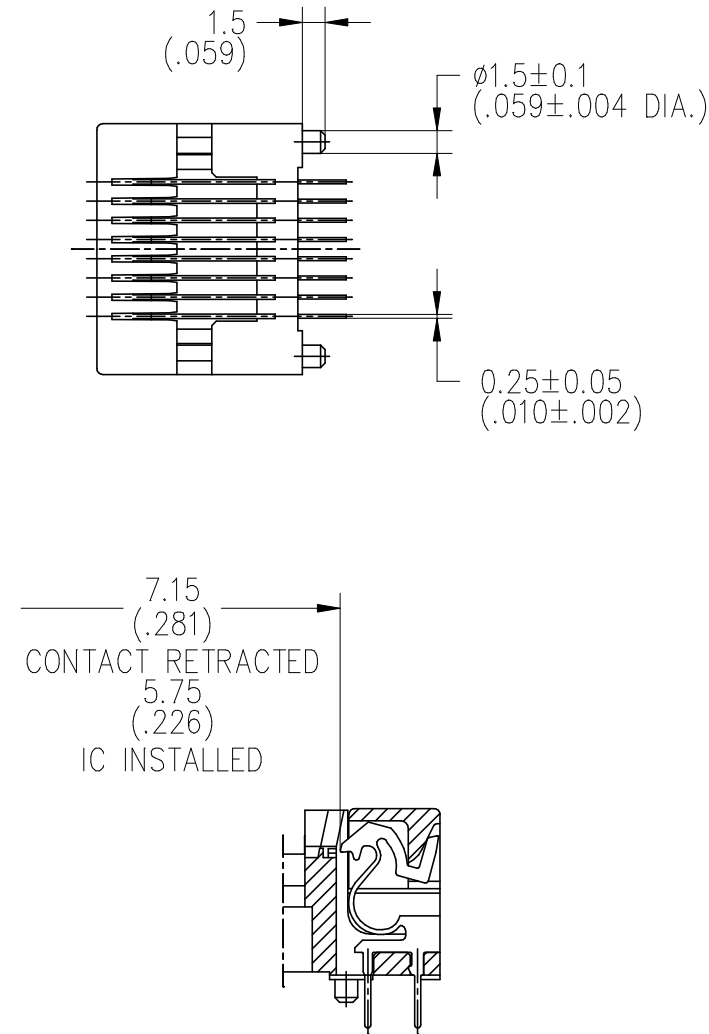
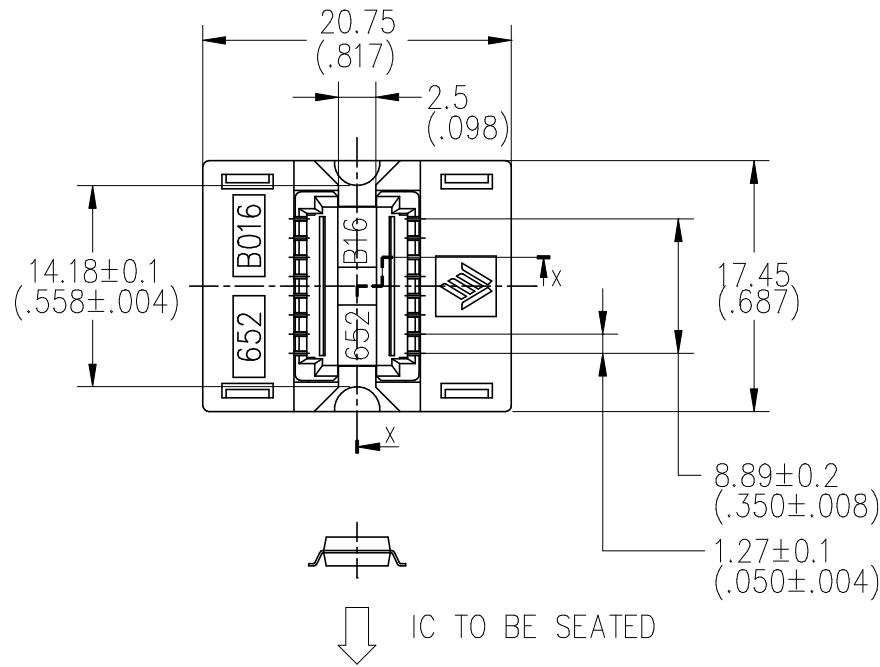


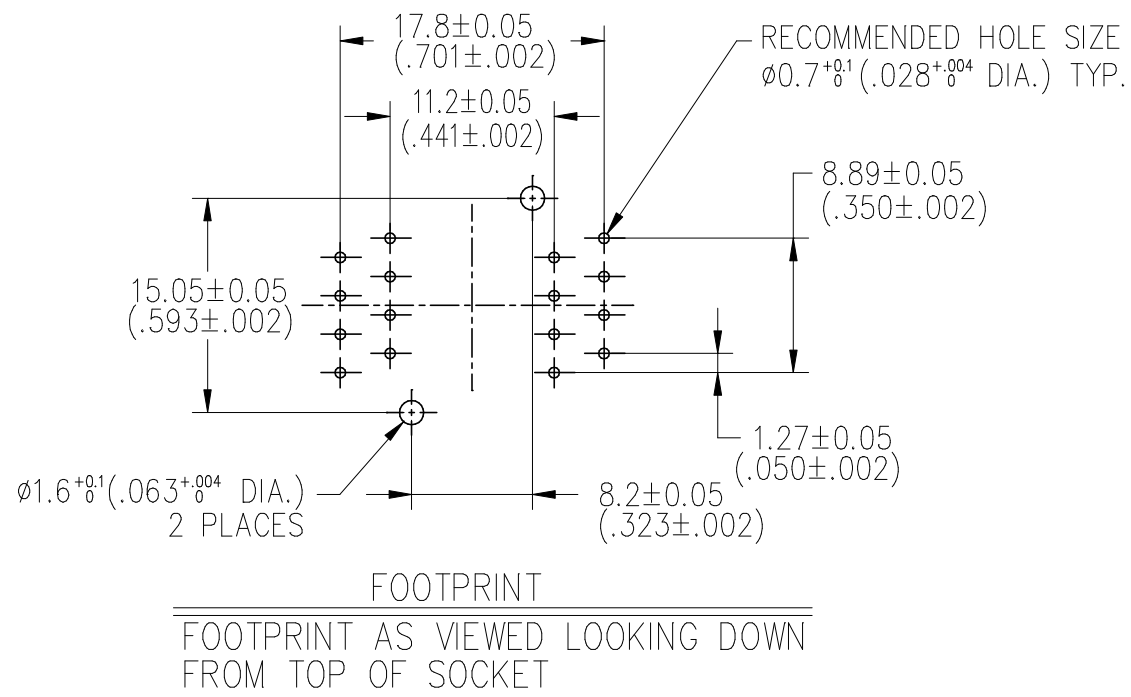
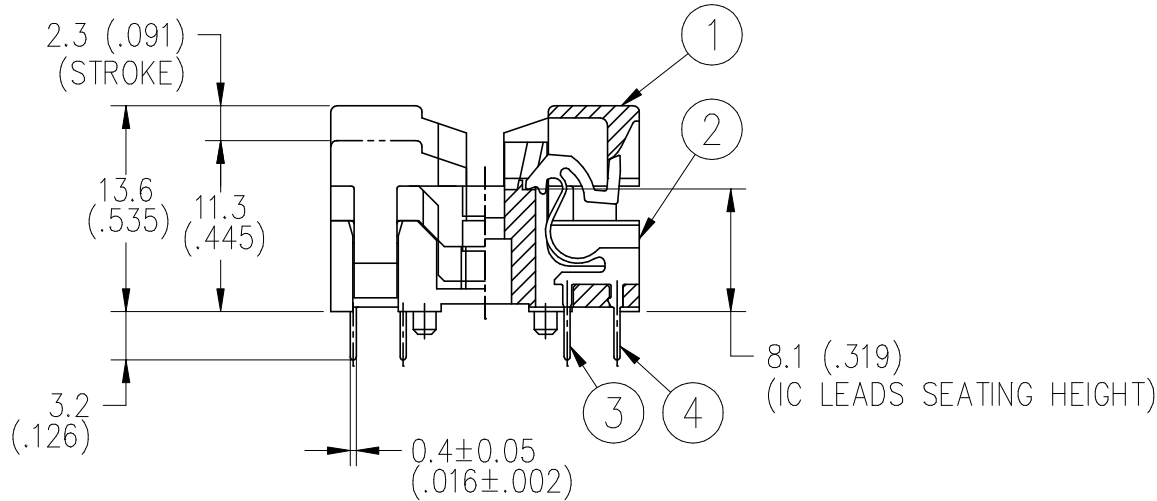
DATE	ECO NO	DESCRIPTION	BY
Sep 5 1994	CDN 94071		A.K



RECOMMENDED IC REF

Performance.

1. Insulation Resistance : 1000 M min. at 500V.D.C
2. Dielectric Withstanding Voltage : 600 V.A.C RMS
3. Contact Resistance : 30m max. at 20mV max.
4. Temperature Range : -40°C +150°C



④	CONTACT- 2	Be Cu	8	PLATING : Au
③	CONTACT- 1	Be Cu	8	PLATING : Au
②	BASE-16P	PEI	1	COLOR : BLACK
①	COVER-16P	PEI	1	COLOR : BLACK

P.NO	PART DESCRIPTION	MATERIAL	QTY	NOTE
GENERAL TOLERANCES				
±0.3 ±.012				
UNIT	SCALE	ANGLE	TITLE	
mm in.	—	3rd.	SOP 16P SOCKET	
DRAWN	/	/	DWG NO.	
CHECKED	/	/	652B0162211-002	
APPROVED	/	/		



WELLS JAPAN LIMITED
ウエルズ・ジャパン株式会社